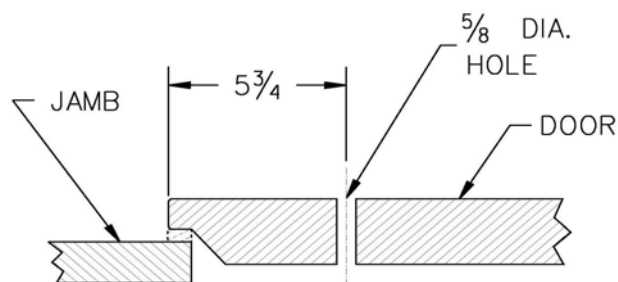


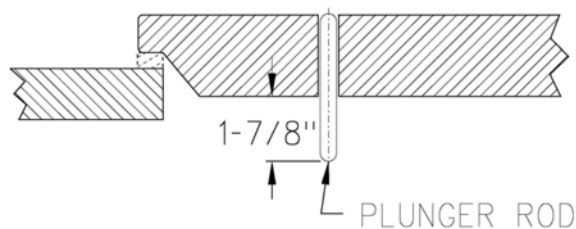
SAFEGUARD LATCH INSTALLATION

Please follow these instructions to insure perfect sealing action and smooth operation of the latch.

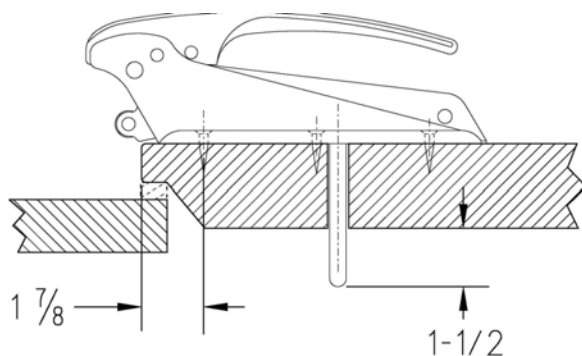


1. Drill hole for plunger rod of inside release handle.

The hole, 5/8" (15.87mm), is drilled 5-3/4" (136.05mm) center distance from edge of door as shown in illustration.

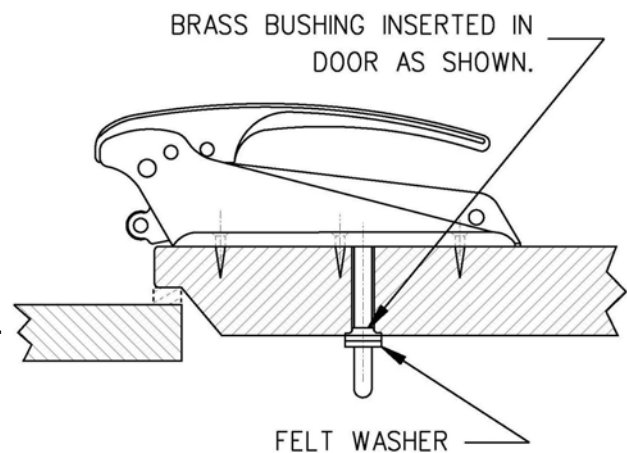


2. Insert plunger rod. NOTE: A standard 7 7/8" (20.00cm) plunger rod is furnished with each latch. If your door is less than 6" (15.24cm) thick, cut rod so that it measures 1 7/8" (4.76cm) more than the thickness of your door. (Plunger rods for thicker doors are available)

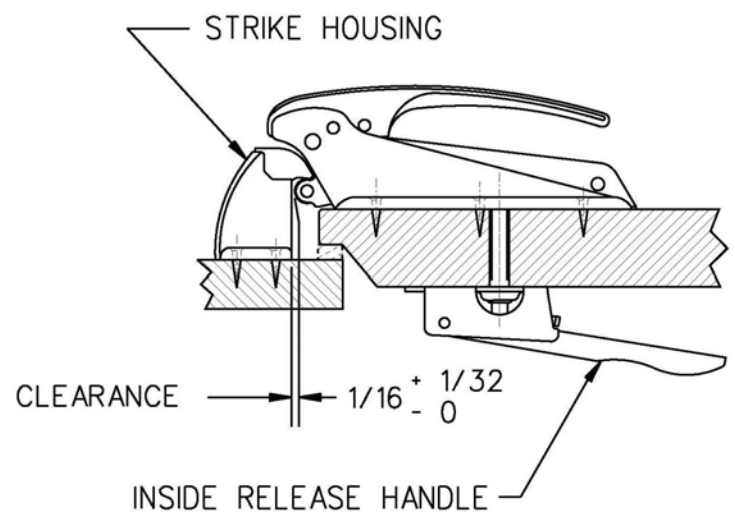


3. Fasten latch to door. Six No. 14 (6mm) screws are required. **IMPORTANT!** The front screw-hole must be located on a 1-7/8" (47.63mm) center from edge of door as shown in illustration.

The plunger rod (when in contact with the latch) should extend 1 11/16" (42.86mm) beyond door as shown in illustration.



4. Insert brass bushing and felt washer. Slip the brass bushing onto the plunger rod. Push the bushing flush with the door (as shown in the illustration). Slip the felt washer onto the plunger rod, flush against the brass bushing.



5. Attach inside release handle. (Three No. 12 (5.5mm) screws are required.) **NOTE:** The inside release handle can be mounted for use in a horizontal, up or down position.

IMPORTANT! Plunger rod must move freely with re-release handle. .

6. Attach Strike. (Four No. 14 (6.0mm) screws are required.)

IMPORTANT! A minimum clearance of 1/16" (1.59mm) from edge of strike housing to edge of roller is needed to insure perfect action.