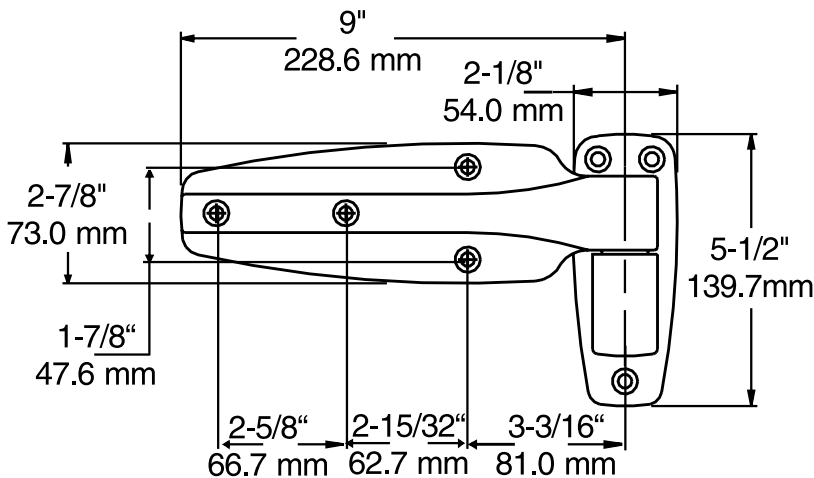


VINTAGE OVERLAP DOOR HINGES

- Industry standard self-closing cam-rise hinges.
- Door opens with minimum effort.
- Strong self-lubricating nylon cam delivers smooth, trouble-free door operation.
- Cam-rise action reduces gasket wear, even with irregular floors.
- Built-in dwell holds door open beyond approximately 135°.
- Doors lift off without disassembly or removing hinges.
- Simple manual operation reverses hinges for use on right- or left-opening door.



REVERSE HINGES IN MINUTES

1. Lift strap from flange and remove pin assembly.



2. Pop out cap. Turn strap 180°, reinsert pin assembly in strap.



3. Reposition strap into flange and replace cap.